

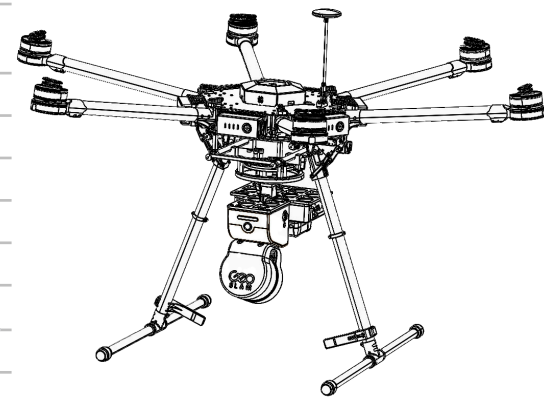
## Airborne SLAM revolution

Take your ZEB Horizon to the skies with our UAV mounts. Capture from new heights with the best SLAM based UAV system.

UAV mounts compatible with DJI Matrice 600 and Freefly Alta 8, Alta 8 Pro and Alta X.

### ZEB Horizon technical specification

Range	100m
FOV	360° x 270°
Protection class	IP 54
Processing	Post
Scanner/datalogger/mount/battery weight	3.7kg
Colourised point cloud	✓*
Intensity	✓
Referenced imagery	✓*
Scanner points per second	300,000
No. of sensors	16
Relative accuracy	1 - 3 cm**
Raw data file size	100-200MB /min



DJI Matrice 600 Mount

### GeoSLAM Hub

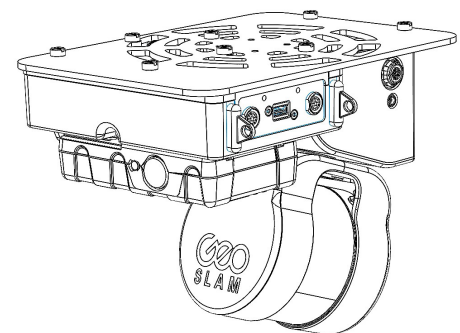
- Transform your 3D scan data into actionable information
- Automatic registration of multiple scans and geo-referencing
- Import and manipulate data from any GeoSLAM device
- Quick & easy workflows with 'drag and drop' functionality
- Draw packages - Start, Plan, BIM, Mining and Pro

### Accessories

- UAV Mounts** - Flexible airborne integration
- Pole** - Elevate your device into ceiling voids
- Cradle** - Lower your device into shafts
- Car Mount** - Data collection for urban road layouts, features and signage

\*with ZEB Cam

\*\*environment dependent



Freefly Alta Mount