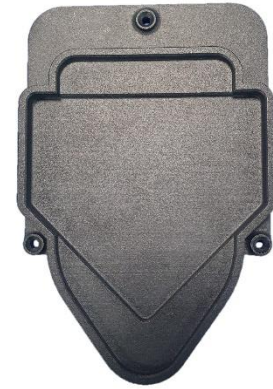


# Dual Initialisation Base

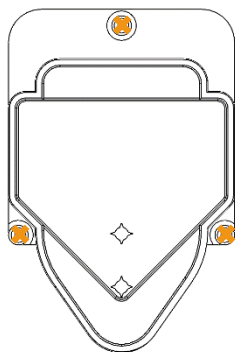
## QUICK START GUIDE



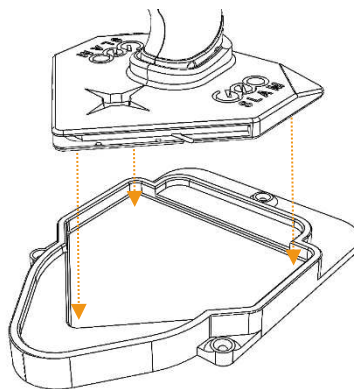
When surveying an ever-changing environment such as a construction site, it is important to accurately capture these changes over time. Therefore, GeoSLAM Construction Progress has a requirement that all scans within a given project are started from and end in the same position and orientation. This can be achieved using the dual initialisation base. The accessory can be used with a ZEB Go, ZEB Revo RT or ZEB Horizon scanner and it provides a fixed reference point when starting and ending scans.

This document guides you through the basic steps to install and use the dual initialisation base.

### STARTING A SCAN

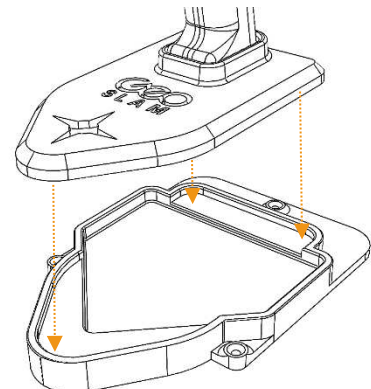


Secure the initialisation base horizontally onto a permanent structure using 4mm/No.8 fixing screws.



Position the scanner (with the reference plate attached) in the initialisation base at the start of each scan.

### ENDING A SCAN



At the end of each scan, return the scanner to the initialisation base before terminating the scan.

### FURTHER INFORMATION

Please refer to the GeoSLAM Construction Progress Software Guide to learn more about the scanning process and importing data into the software.